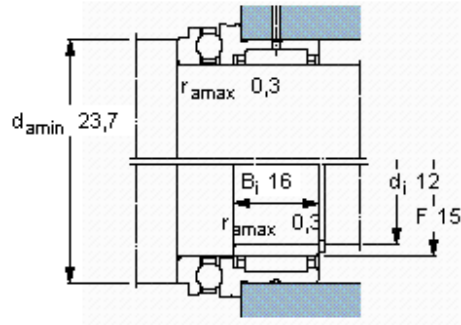
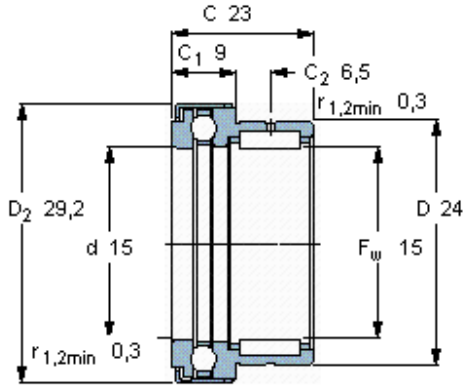


1\_18, needle roller/full complement thrust ball bearings

Principal dimensions			Basic load ratings				Speed ratings		Limiting speed	Designation
Fw	D	C	radial dynamic C	static C0	axial dynamic C	static C0	Reference speed			
mm			kN				r/min		-	
<b>15</b>	24	23	11	14	10,6	18,3	8500	7000	<b>NKX 15 Z</b>	



**Appropriate inner ring**

IR 12x15x16